



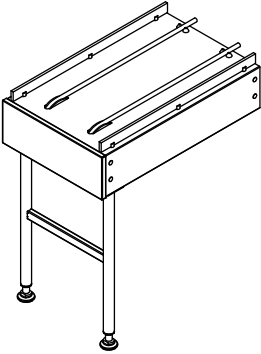
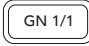
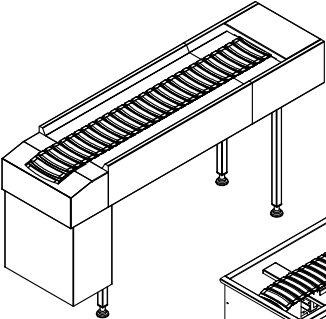
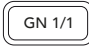
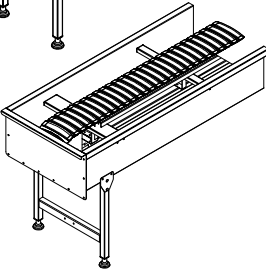

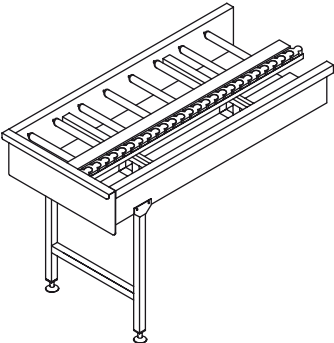

POLICORDA
TRANSPORTATION SYSTEMS

KROMO
YOUR SMART WASH



Our customized bi-cord transport system is the perfect solution not only to carry, but also to wash and deliver trays. The system limits the workers operations and contains management costs and space while perfectly drying the trays for an immediate use.

With the recent expansion of the range, KROMO now offers tailor-made logistics and waste treatment solutions. Thanks to this comprehensive offer, even the most specific customer needs can be satisfied.

Model	Voltage	Capacity	Code	€
CORD CONVEYOR				
	400 V 3N 50 Hz -- 230 V 50 Hz -- 230 V 3 50 Hz Special voltages on request	 530x325x35 H	BCC	upon request
SLAT CONVEYOR FOR TRAYS OR RACKS				
	400 V 3N 50 Hz -- 230 V 50 Hz -- 230 V 3 50 Hz Special voltages on request	 530x325x35 H	SCT trays	upon request
		 500x500	SCR racks	upon request
CARDAN CHAIN CONVEYOR				
	400 V 3N 50 Hz -- 230 V 50 Hz -- 230 V 3 50 Hz Special voltages on request	 500x500	CCC	upon request



KROMO ALI GROUP SRL

Via Mestre, 3
31033 Castelfranco Veneto (TV)
T: +39 0423 734580
F: +39 0423 734581
kromo@kromo-ali.com

SERVICE:

T: +39 0423 734593
F: +39 0423 734592
E: service@kromo-ali.com

www.kromo-ali.com

Edition 05.2023

an Ali Group Company



The Spirit of Excellence