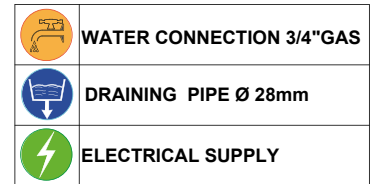
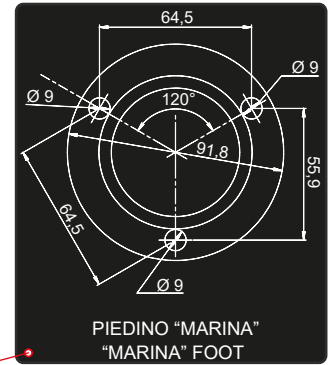
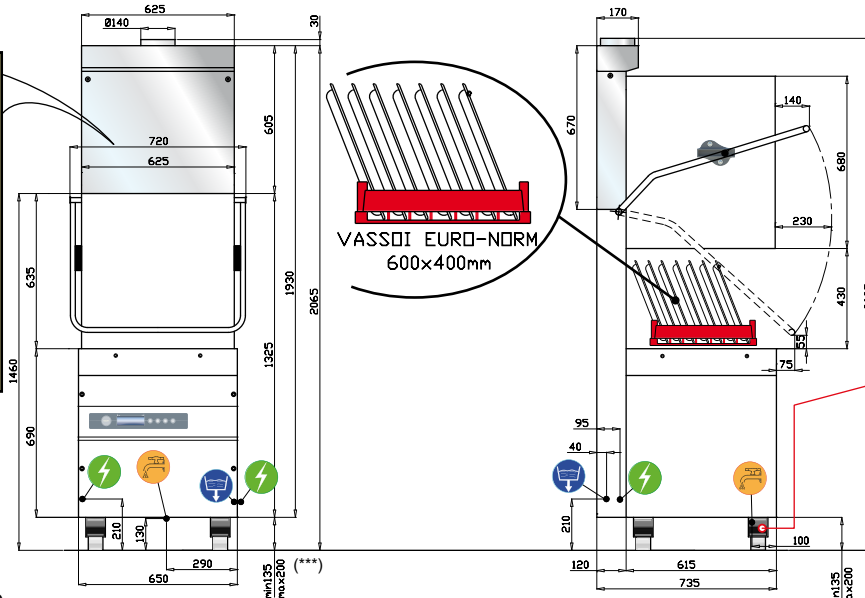


**EXIT AIR TEMPERATURE :**  
**25°C**  
**HUMIDITY:**  
**60%**  
**AIR FLOW RATE:**  
**105 m³/h**  
**HEAT RECOVERY PER HOUR:**  
**6 kWh**  
 (VALUES CALCULATED ON THE BASIS OF THE SHORTEST CYCLE)



(\*\*\*) MIN 135-MAX 200 mm

TECHNICAL DATA					
<b>EXTERNAL DIMENSIONS</b>					
width	720 mm				
depth	735 mm				
height	2095 mm				
<b>WEIGHT(basic version)</b>					
134 kg					
<b>VOLTAGE</b>					
400V 3N 50Hz					
<b>POWER REQUIRED</b>					
10490 W					
<b>WATER HARDNESS</b>					
2-8 °F					
<b>INLET WATER PRESSURE</b>					
200-400 kPa					
<b>CROCKERY DIMENSIONS</b>					
plates diameter	410 mm				
trays max. dimension	600X400 mm				
<b>RACK DIMENSION</b>					
500X500+SPECIAL STEEL RACK 500X600 mm					
<b>RACK EQUIPMENT</b>					
1XC44 - 1XC86/A - 1X11600054					
<b>WASHING CYCLES (sec)</b>					
	1 (50)	2 (90)	3 (120)	4 (180)	----
<b>WATER SUPPLY 55°C</b>					
racks/h(*) <sup>(1)</sup>	----	----	----	----	--
<b>WATER SUPPLY 10°C</b>					
racks/h(*) <sup>(1)</sup>	55	40	30	20	--
<b>WATER CONSUMPTION / CYCLE</b>					
2.6 l					
<b>BOILER CAPACITY</b>					
15 l					
<b>BOILER HEATING ELEMENT</b>					
9000 W					
<b>RINSING TEMPERATURE (SET)</b>					
85°C					
<b>TANK CAPACITY</b>					
42 l					
<b>TANK HEATING ELEMENT</b>					
2700 W					
<b>TANK TEMPERATURE (SET)</b>					
55°C					
<b>PUMPS POWER washing</b>					
1490 W (800 l/min <sup>***</sup> )					
<b>DRAIN PUMP (optional)</b>					
25 W (40 l/min <sup>***</sup> )					
<b>NOISE</b>					
66,4±0.7 dB(A)					

(\*) STANDARD TERMOSTOP

(\*\*\*) MAXIMUM FLOW RATE

(<sup>1</sup>) In case of cold water supply and/or continuous washing, the rinse-water heating process might take more time than usual, until the proper rinse temperature is reached. For this reason, the wash-cycle total timing might result longer than set.